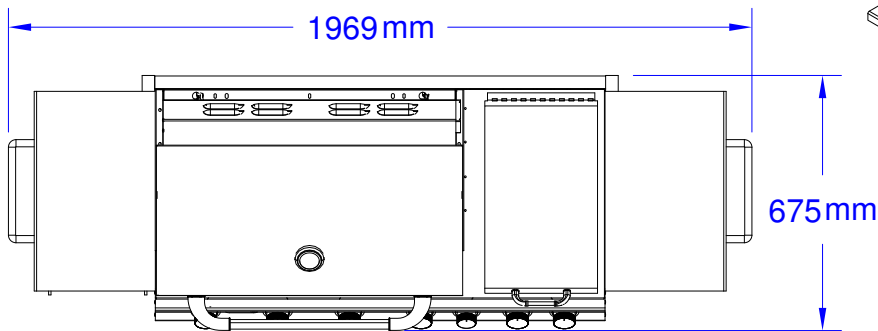
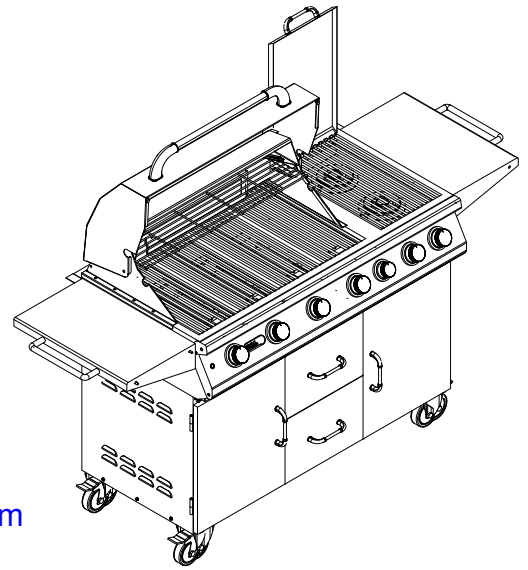




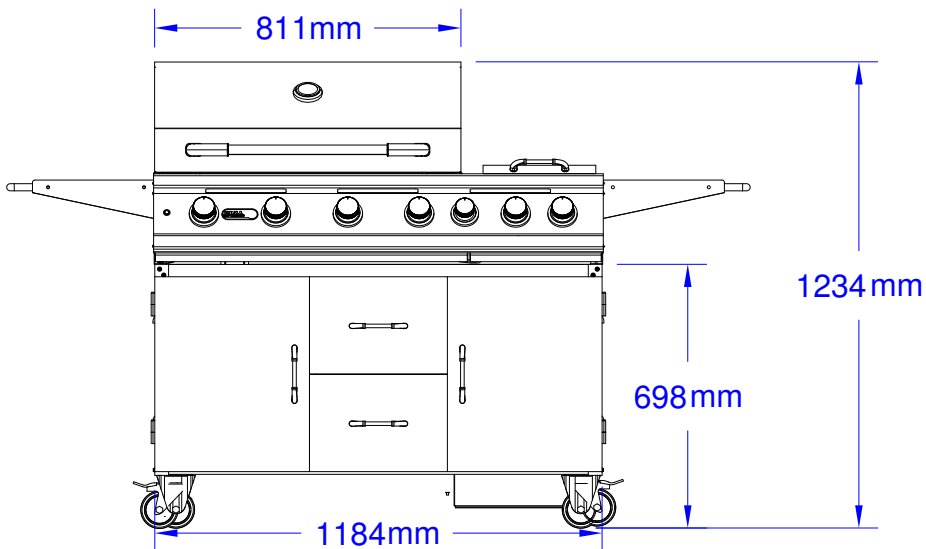
ITEMS: #28368 CE LP, #28369CE NG
7 BURNER GRILL CART



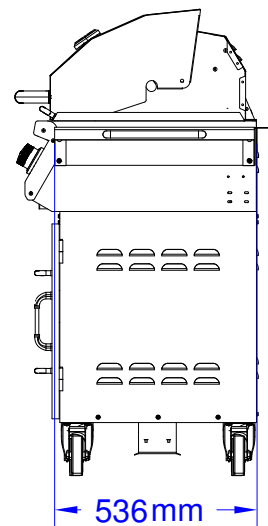
Top View



Isometric View



Front View



Side View

SPEC SHEET NOTES.

- 1. SCALE: 1 : 20 (Printer page scaling none, do not use fit to printable area option)
- 2. REVISION: 10/2018