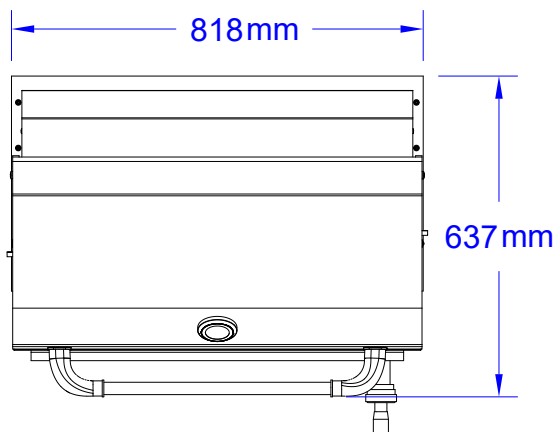
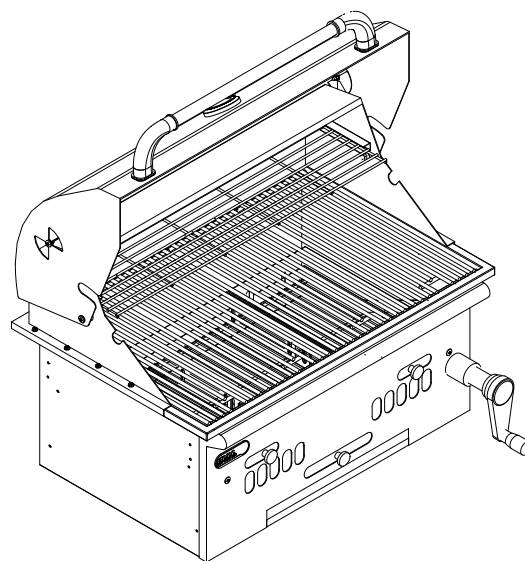




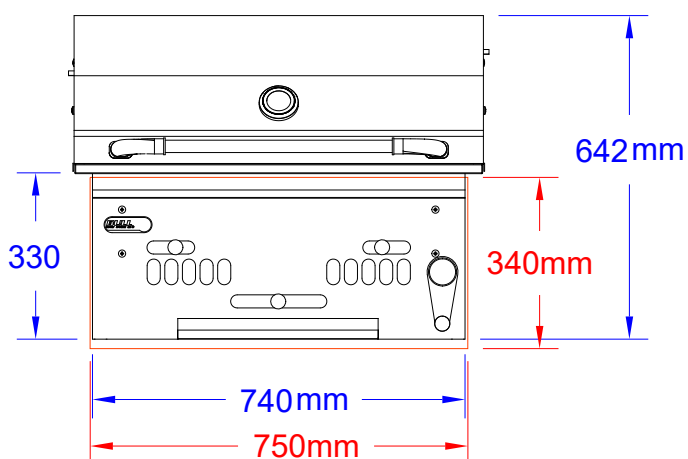
ITEMS: #88787  
NEW BISON



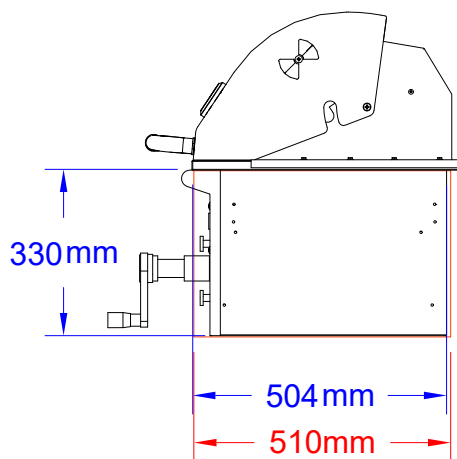
Top View



Isometric View



Front View



Side View

SPEC SHEET NOTES:

1. CUTOUT DIMENSIONS 750L X 510D X 340H
2. SCALE: 1:15 ( Printer page scaling none, do not use fit to printable area option )
3. REVISION: 07/2019