



ASSEMBLY INSTRUCTIONS FOR SEARING  
BURNER – ONLY FOR FIRST TIME USE.

ITEM: 20505CE



This burner can be installed in all Bull gas grills and these instructions are intended for CE models.

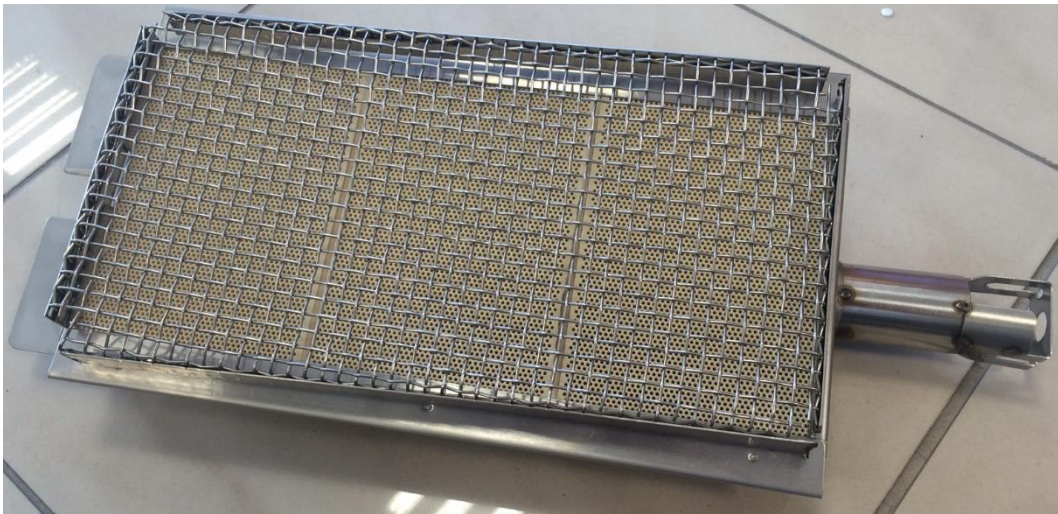
**ALWAYS PERFORM THIS OPERATION WITH A COLD GRILL**





Contents in your searing burner kit:

Qty.1 searing burner



Qty.1 short cross fire connector tube



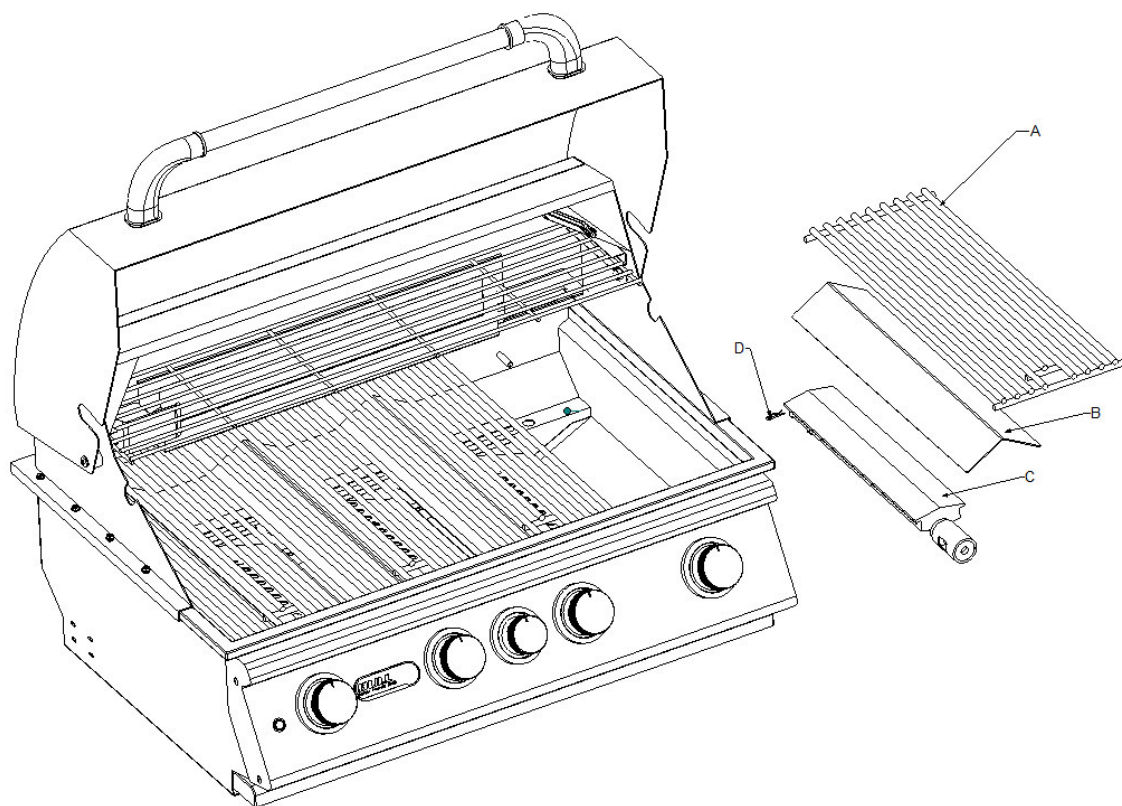
Qty.2 screws





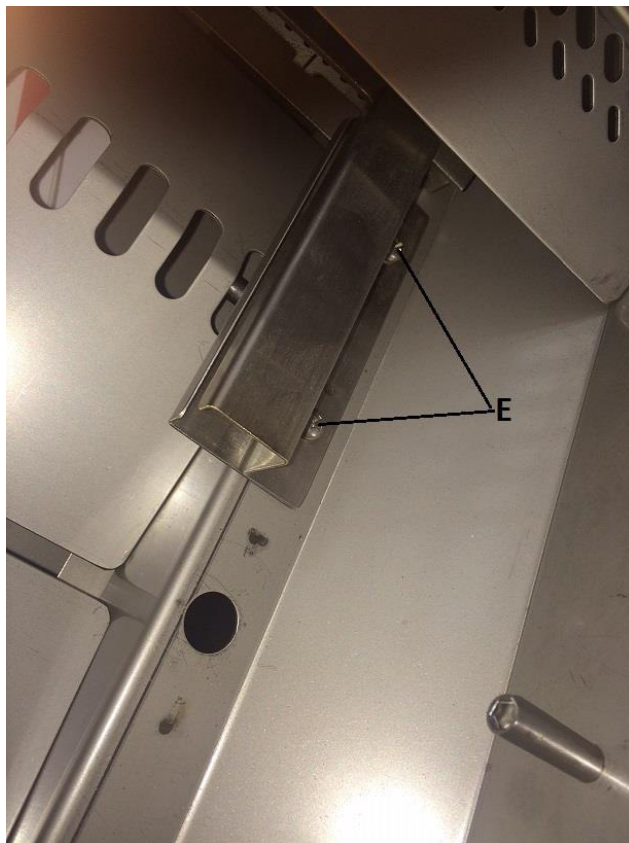
The searing burner must always replace the burner in the far right of your BBQ grill.

- 1: Remove the cooking grate (A) and the flame tamer (B). Remove the burner (C) on the far right. Make sure you would have followed your grill manual instructions and took out the burner retention cotter pins (D).





Now remove the 2 philips bolts of the cross fire connector tube .



The purpose of the cross fire connector tube is an extra CE safety feature that will help re-ignite a burner which may have been extinguished by using the flame of the adjacent burners. **PLEASE DO NOT USE THE GRILL WITH OUT THEM. THIS PROCEDURE NEED NOT BE REPEATED EVER AGAIN AND YOU MAY JUST REPLACE THE SEARING BURNER WITH THE STAINLESS STEEL BURNER AND VICE-VERSA IN SECONDS WHEN REQUIRED.**

Now replace the cross fire connector tube with the shortened one supplied in your kit. Assemble your grill components in the reverse order. Put aside the flame tamer on the far right for when you would like to replace the original burner. You may now discard the cotter pins which are only used for transport safety.