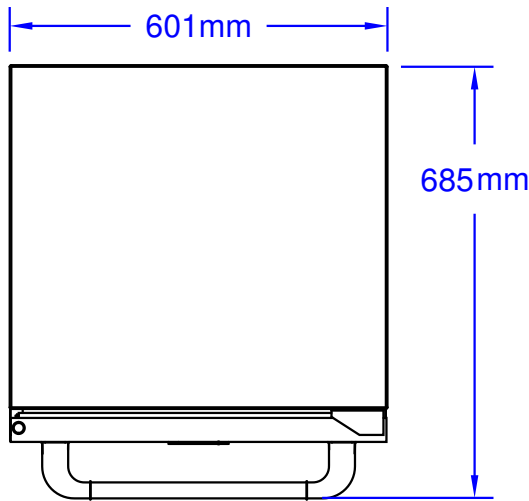
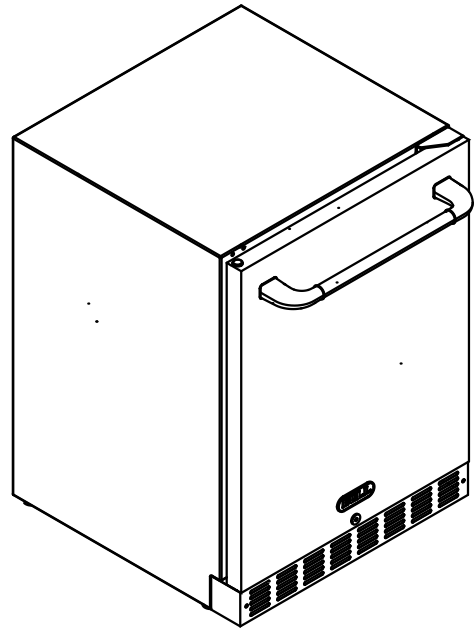




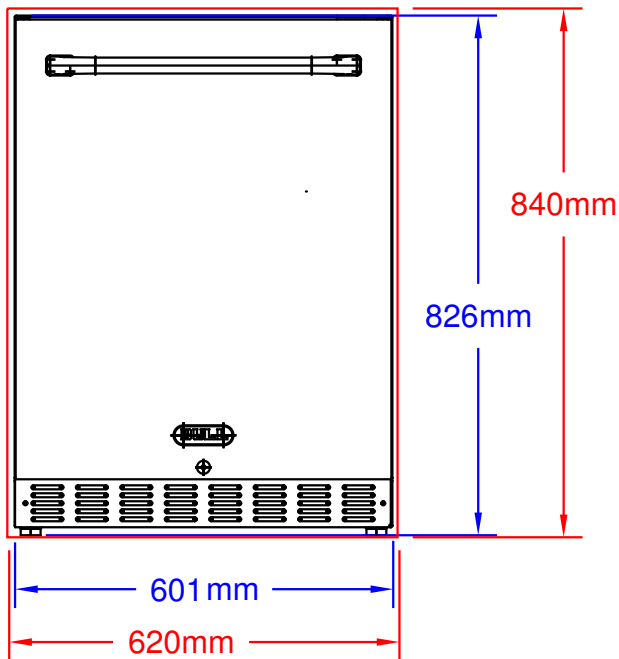
ITEMS: #13700CE  
PREMIUM OUTDOOR RATED FRIDGE



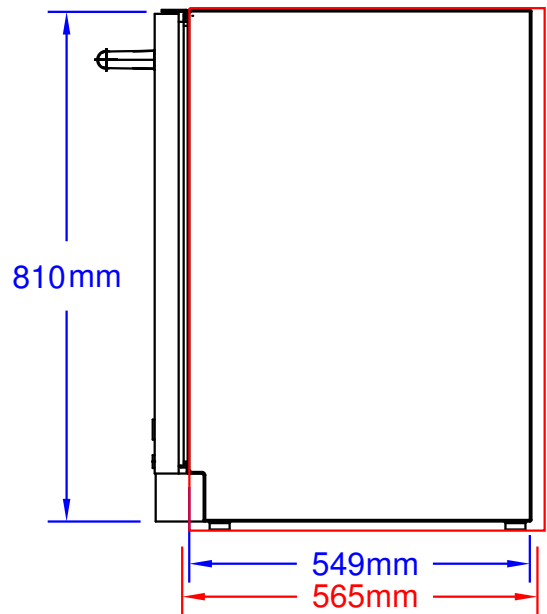
Top View



Isometric View



Front View



Side View

SPEC SHEET NOTES:

1. **CUTOUT DIMENSIONS: 620L X 565D X 840H**
2. SCALE: 1 : 12 ( Printer page scaling none, do not use fit to printable area option )
3. REVISION: 10/2018