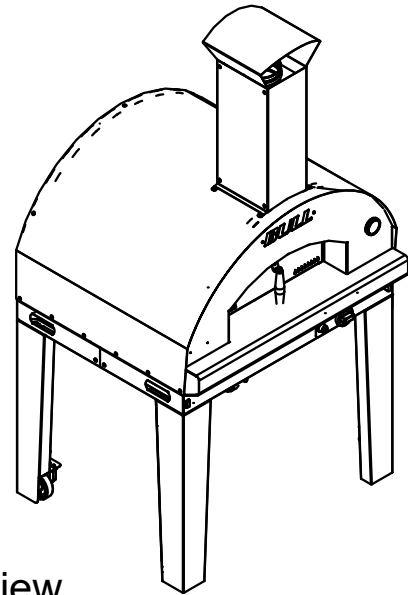
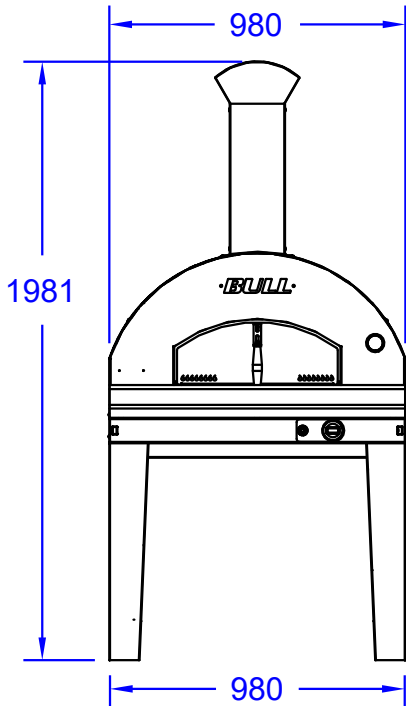




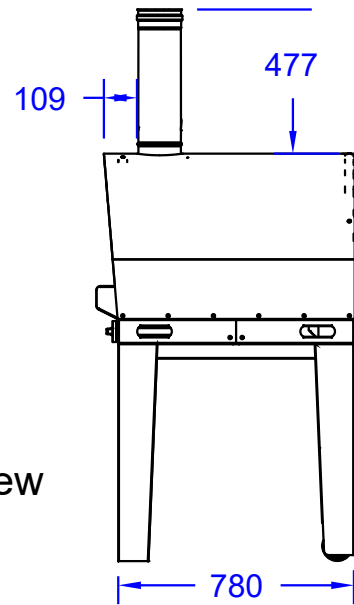
ITEMS: #66142CE
**EXTRA LARGE GAS FIRED PIZZA
 OVEN
 CART**
 SPEC SHEET



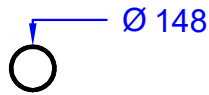
Isometric View



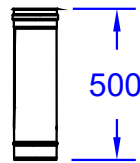
Front View



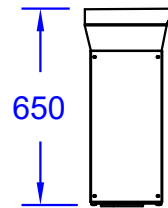
Side View



Chimney Duct
Top View



Chimney Duct



Chimney Cover
with Hat

NOTES:

- ITEM: 66142CE
- 1. DIMENSIONS IN MM
- 2. SCALE: 1 : 25 (Printer page scaling none, do not use fit to printable area option)
- 3. REVISION: 05/2019

GAS SPECIFICATIONS:

NATURAL GAS(METANO) 20 mbar: 4 m³/hr 12,000 Kcal/hr = 14.0KW
LPG (Propane/Butane) 30 mbar: 2.00 l/hr 12,000 Kcal/hr = 14.0KW