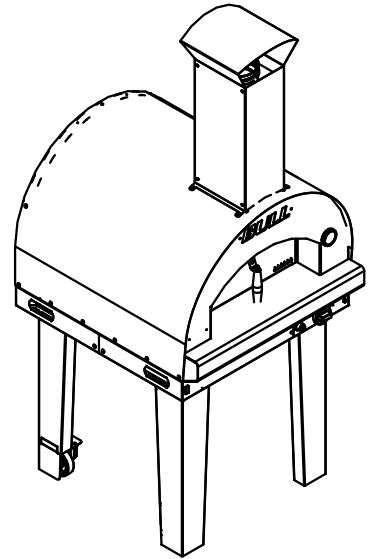
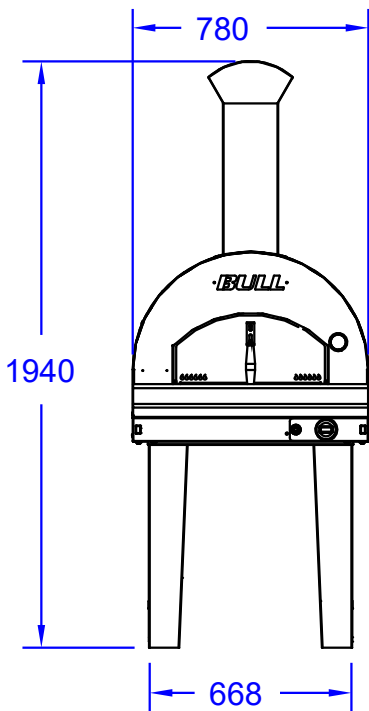




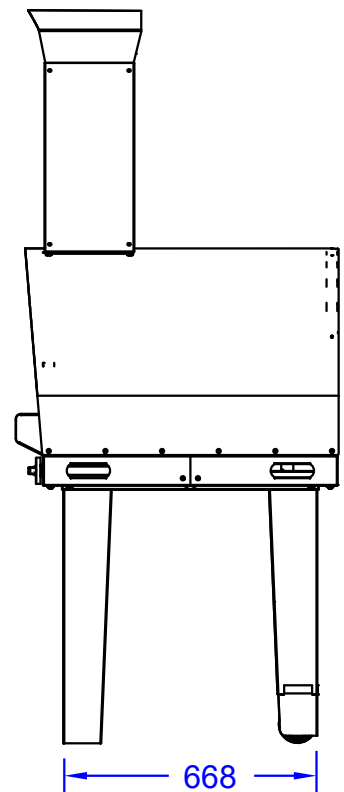
ITEMS: #66125CE
**LARGE GAS FIRED
 PIZZA OVEN
 CART**
 SPEC SHEET



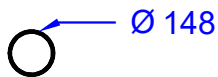
Isometric View



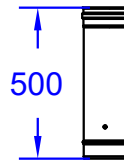
Front View



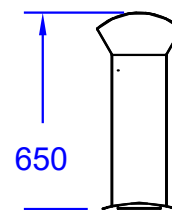
Side View



Chimney Top View



Chimney Duct



Chimney Cover with Hat

NOTES:

ITEM: 66125CE

1. DIMENSIONS IN MM

2. SCALE: 1 : 25 (Printer page scaling none, do not use fit to printable area option)

3. REVISION: 05/2019

GAS SPECIFICATIONS:

NATURAL GAS (METANO) 20 mbar: 4 m³/hr 12,000 Kcal/hr = 14.0KW

LPG (Propane/Butane) 30 mbar: 2.00 l/hr 12,000 Kcal/hr = 14.0KW