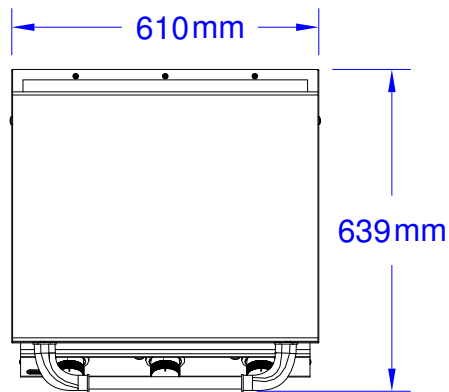
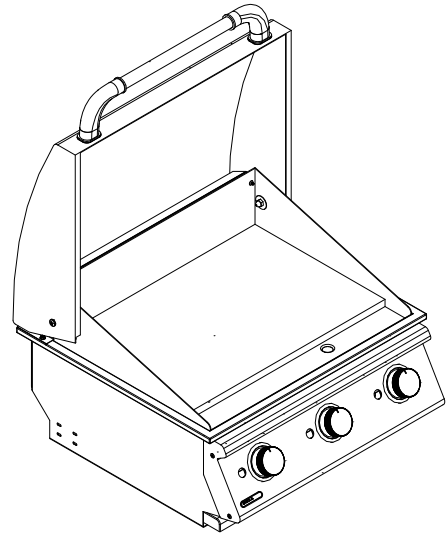




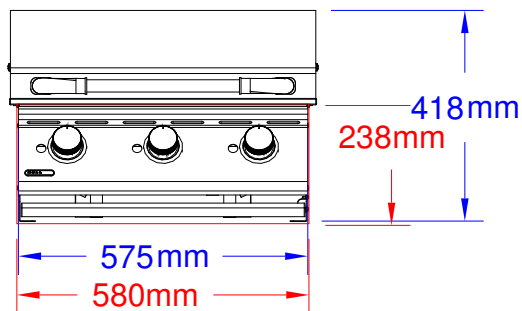
ITEMS: #97008CE LP, #97009CE
PLANCHA GRILL



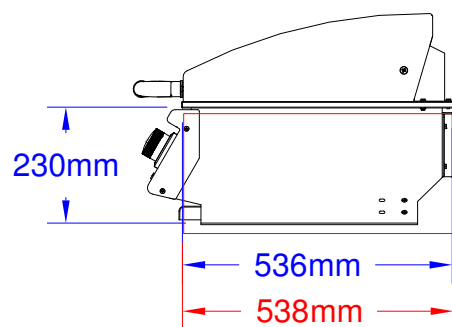
Top View



Isometric View



Front View



Side View

SPEC SHEET NOTES:

1. **CUTOUT DIMENSIONS : 580 X 538D X 238H**
2. SCALE: 1 : 15(Printer page scaling none, do not use fit to printable area option)
3. REVISION: 10/2018