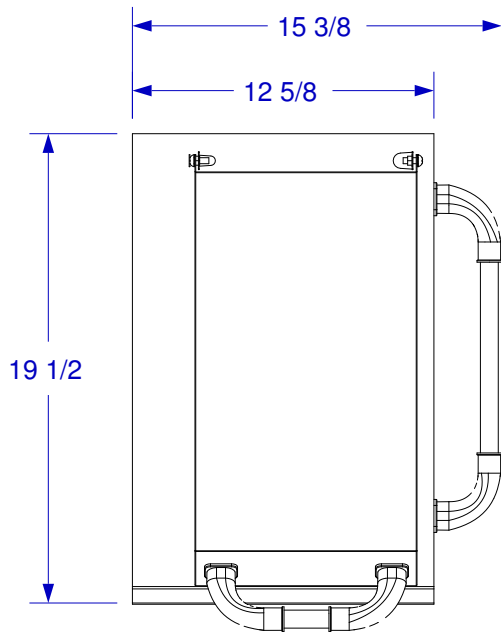




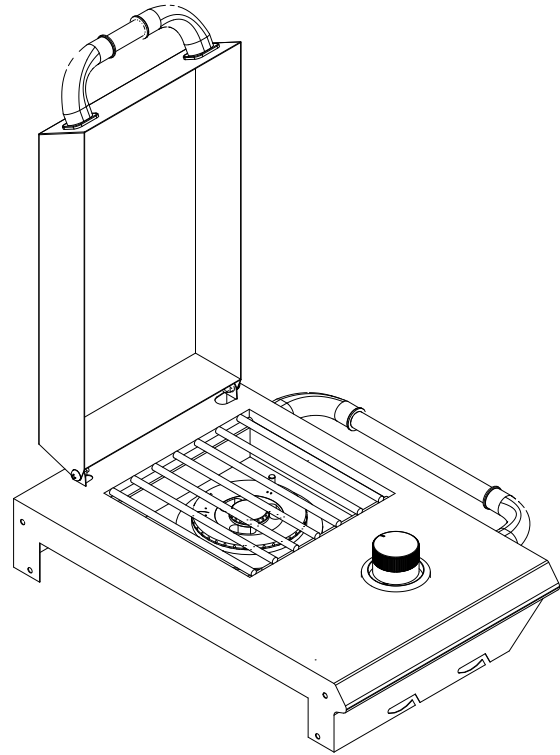
SIDEKICK SIDEBURNER

SPEC SHEET

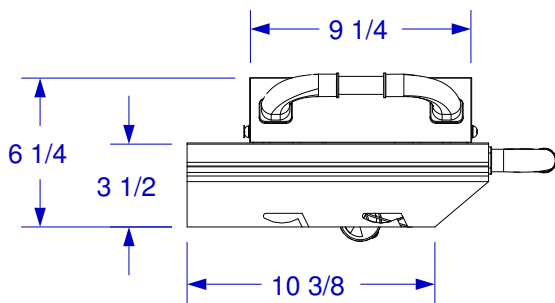
PN# 60010



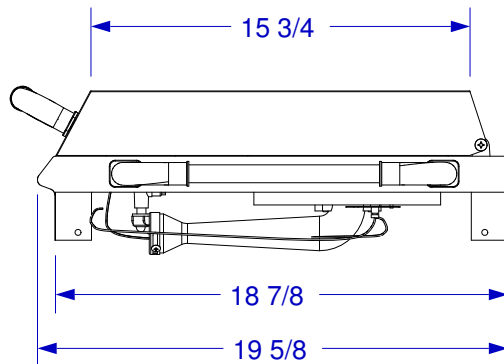
TOP VIEW



ISOMETRIC VIEW



FRONT VIEW



RIGHT VIEW

NOTES:

1. SCALE: 1 1/2" = 1'-0"
2. REVISED: 3/2017