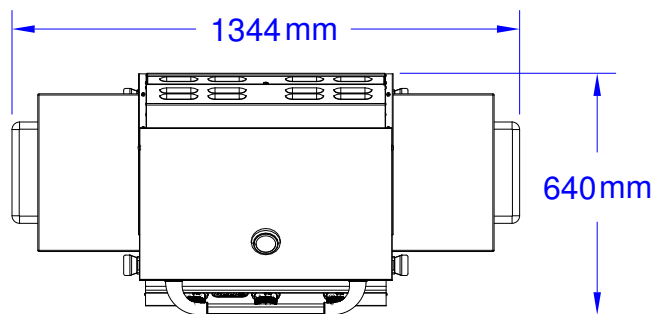
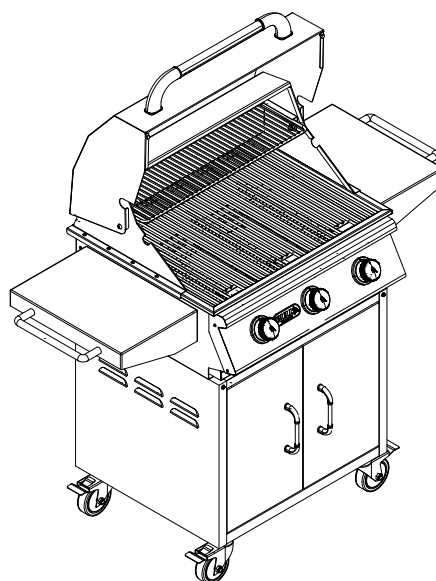




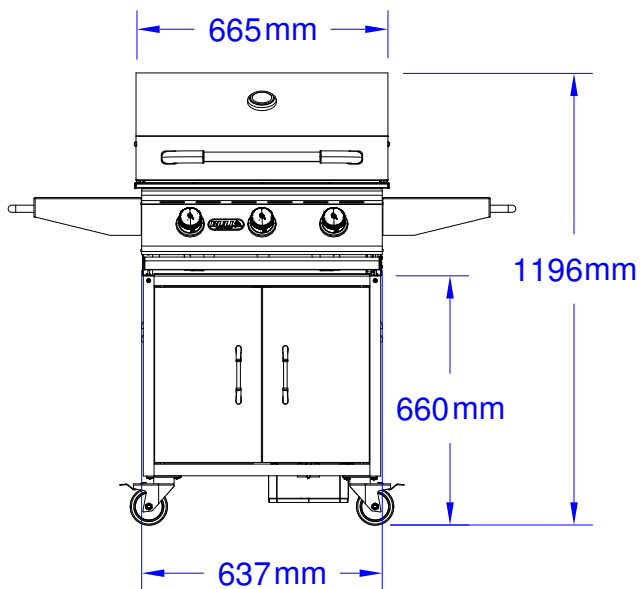
ITEMS: #69101CE LP, 69102CE NG  
STEER PREMIUM CART



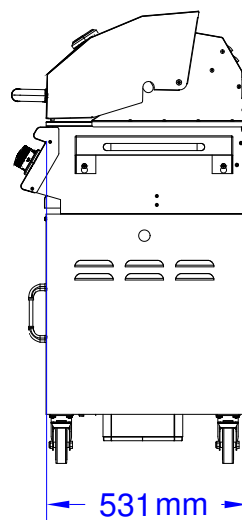
Top View



Isometric View



Front View



Side View

SPEC SHEET NOTES:

1. SCALE: 1 : 20( Printer page scaling none, do not use fit to printable area option)
2. REVISION: 10/2018