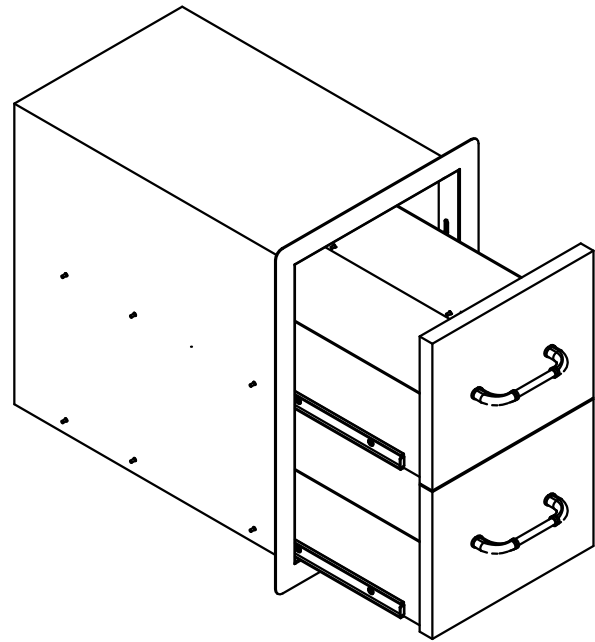
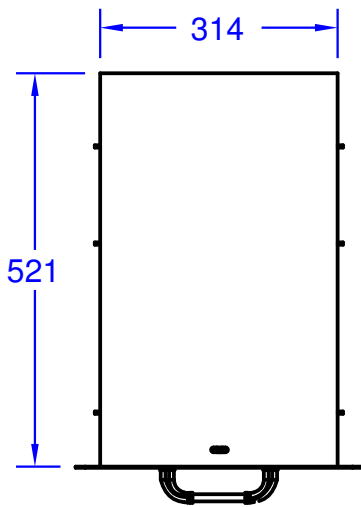


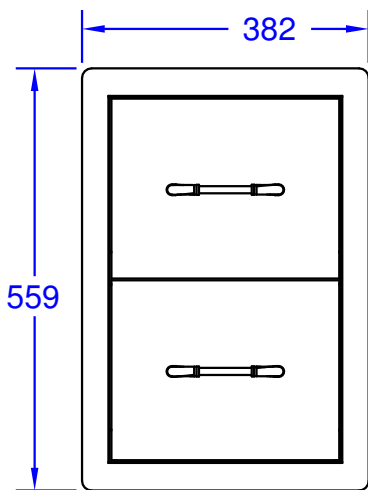
ITEM: #56985  
DOUBLE DRAWER  
SPEC SHEET



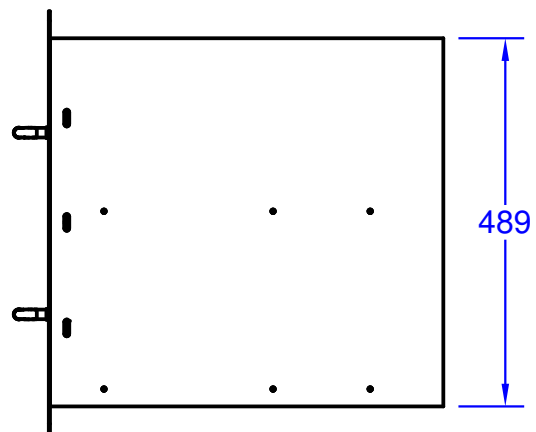
Isometric View



Top View



Front View



Side View

NOTES:

ITEM :#656985

1. CUTOUT DIMENSIONS: 325W X 528D X 496H

2. DIMENSIONS IN MM

3. SCALE: 1 : 10( Printer page scaling none, do not use fit to printable area option)

4. REVISION: 11/2017