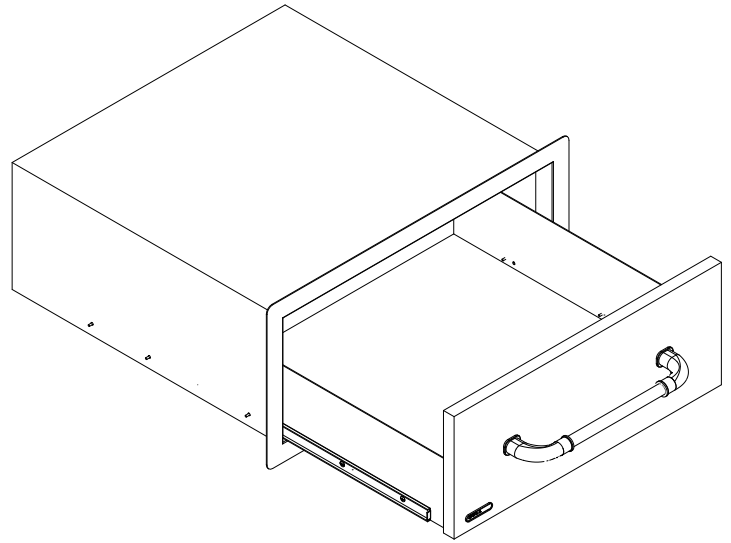




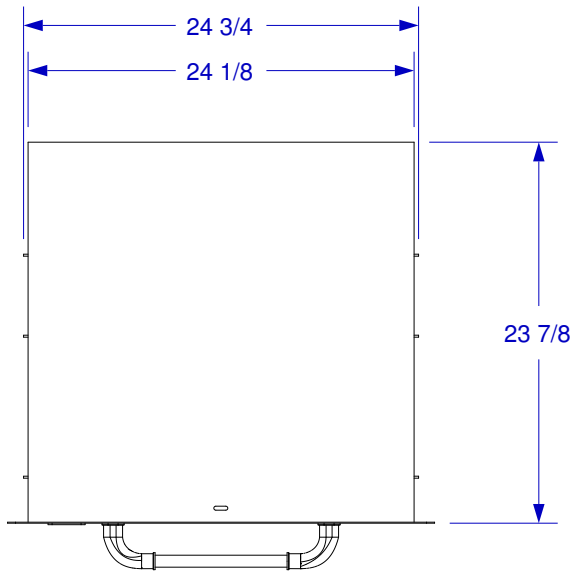
LARGE SINGLE DRAWER

SPEC SHEET

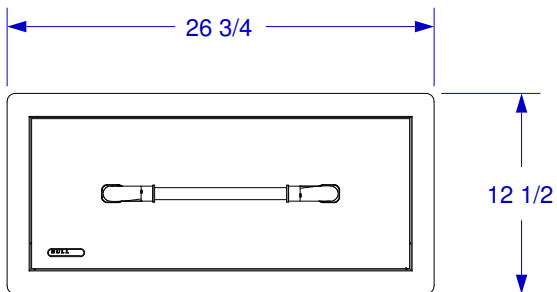
SKU #09980 S



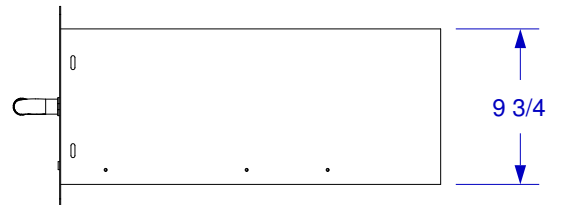
ISOMETRIC VIEW



TOP VIEW



FRONT VIEW



RIGHT SIDE VIEW

NOTES:

- 1. CUTOUT DIMENSIONS: 25 1/4"W X 10 3/4"H X 24"D
- 2. SCALE: 1" = 1'-0"