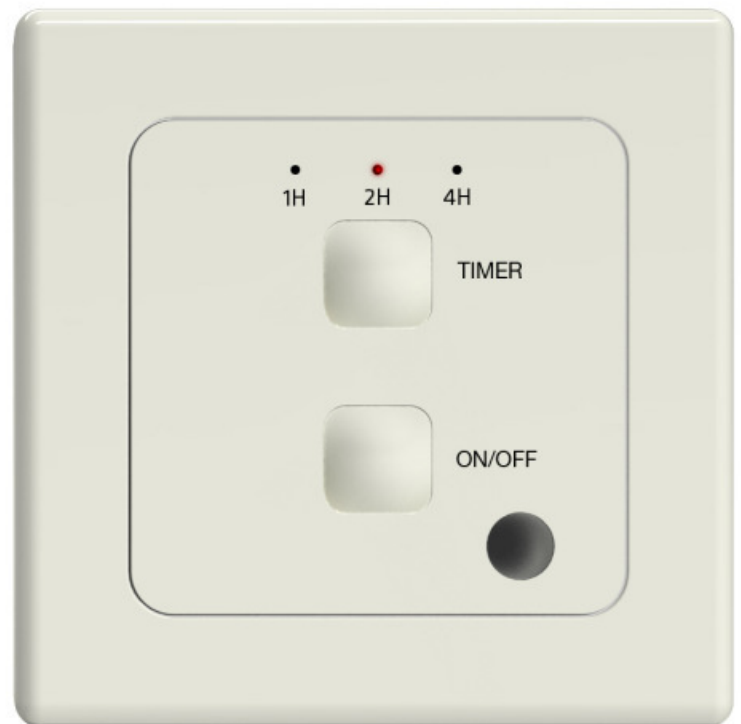
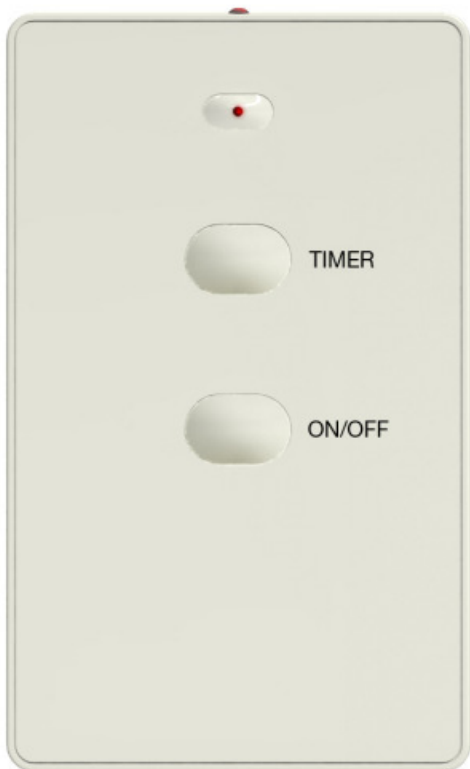




## PRODUCT MANUAL



## **TT-MTR** **Wall controller timer with** **remote control**



## TT-MTR Wall Controller with remote control

Rev A MAR14

This controller is a custom designed and manufactured controller for HEATSTRIP®. It has been designed for ease of use to ensure economic running costs of your heater. It provides a timer for automatic heater operation.

The timer function has four settings. It can turn the heater on for 1 hour, 2 hours, 4 hours or constantly on.

The timer can be operated where it is installed or via remote control unit. It has pre set timing for 1 hour, 2 hours or hours or continuous, allowing the heater to operate continuously.

The remote control has a range of 10 metres and must be within line of sight of the wall switch.

### Controlling multiple units

It is possible to use one wall controller to control multiple heaters up to 16 Amps load. The wall controller is rated at 16 Amps and 220-240 volts. For larger current draw, it is recommended that you talk to your electrician who can use a relay to connect more units.

### Mounting

The TT-MTR is designed to fit into a standard European wall gangbox. It will just as easily fit into a plaster wall. Your electrician can install this device.

The controller needs to be installed according to your local wiring guidelines.

### Operation

Press “ON/OFF” button to turn power on and off.

Press “TIMER” button to set timer to 1, 2, 4 hours operation. The timer indicator light will show which time setting is selected. The timer will start the heater and automatically turn it off at the preselected time.

### Safety

The TT-MTR controller must be installed in a dry location. It is not suitable for installation where rain or water could affect the unit..

Ensure the connections are properly connected.

This appliance is not intended for use by persons (including children) with reduced physical, sensory or intellectual capabilities, or lack of experience and knowledge, unless they have been given supervision or instruction concerning use of the appliance by a person responsible for their safety. Children should be supervised to ensure they do not play with the appliance.

### Maintenance

The TT-MTR Controller is made from durable materials, however regular care and maintenance of your controller will help prolong the life of the product.

It is recommended that you dust the controller to keep the surface clean. The cleaning process at least every three months will reduce the amount of build up and keep it looking as best it can.

Do not use any abrasive materials or products to clean the controller, this includes solvents, citrus based cleaners or other harsh cleaning products. Do not use water or a damp cloth to clean the controller.

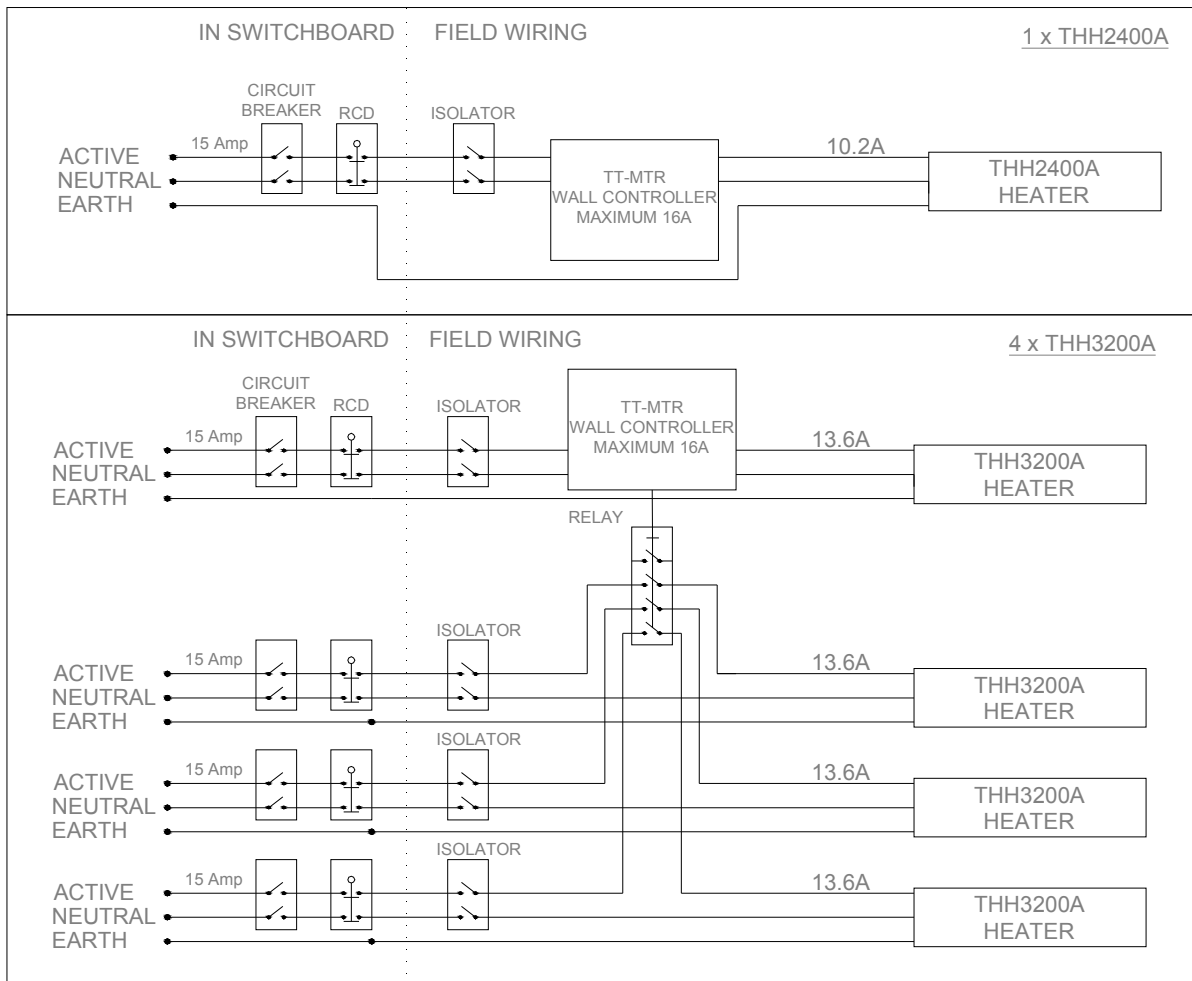
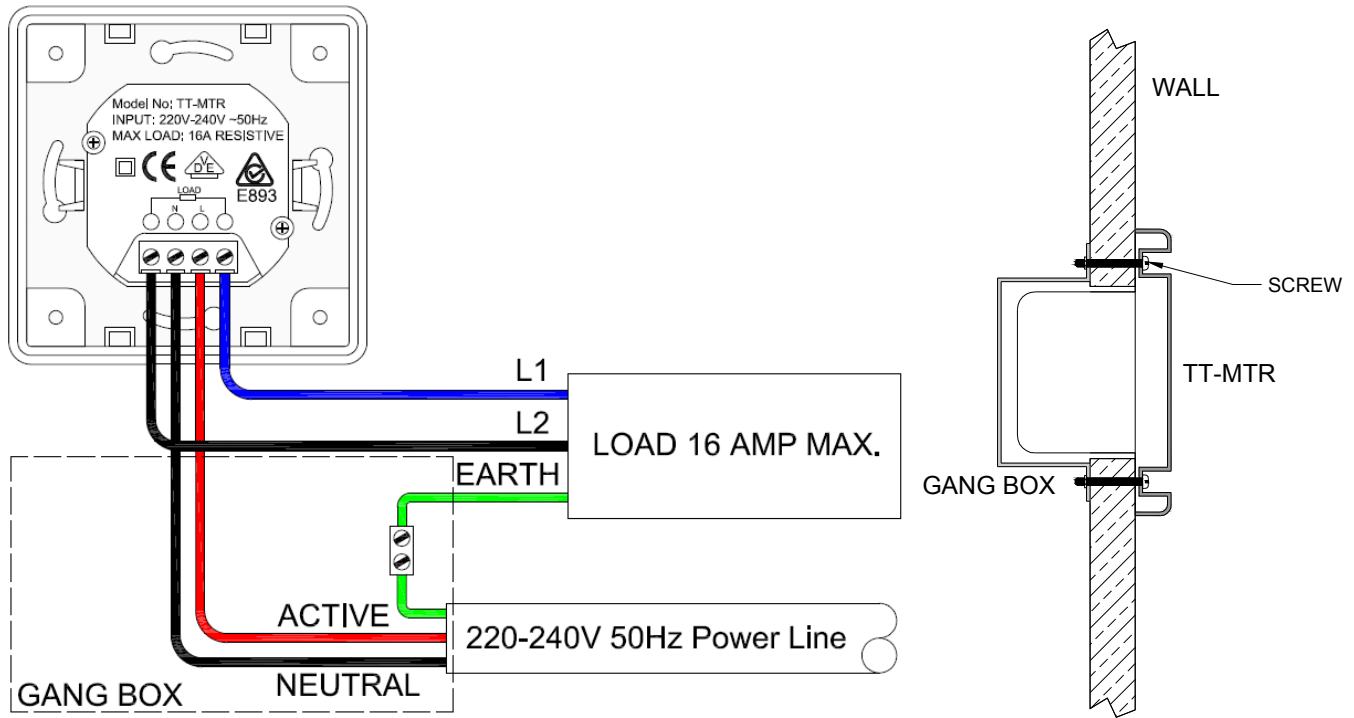
When handling the controller, ensure that your hands are clean or that you use clean gloves as grease or dirt can mark the surface of the controller.

MODEL	MAXIMUM VOLTAGE (Volts)	MAXIMUM CURRENT (Amps)	PACKAGED DIMENSIONS (mm)	WEIGHT (kg)
TT-MTR	220—240	16	80 x 80 x 42	0.5





## TT-MTR CONTROLLER INSTALLATION





## Warranty Terms & Conditions

The below Warranty Terms and Conditions apply for **international warranty** only.

Grand Hall B.V. warrants to the original owner that TT-MTR products will be free from defects in materials and workmanship for a period of 12 months from the date of purchase in accordance with the following warranty terms and conditions.

Provision of this warranty is subject to:

- The TT-MTR product must be installed in accordance with the Installation Instructions and relevant electrical standards and codes.
- The TT-MTR must be maintained and cleaned according to instructions detailed in the Installation Manual.
- There is no warranty expressed or implied with regard to capacity requirements. The selection of the unit or units depends entirely upon the system design and capacities as determined by the purchaser.
- The customer has not repaired, opened or altered the product in any unauthorised manner.
- This warranty excludes damage to the product or components arising from circumstances outside the control of Grand Hall B.V., including, but not limited to, where the product is not used for intended purpose; where the product has been rectified in any way; incorrect installation; incorrect power supply; damaged caused during delivery; misapplication, misuse, abuse, vandalism, lack of maintenance or accident.
- Grand Hall Europe's obligations under this warranty are limited to repair or replacement at Grand Hall Europe B.V. of any components of the product which Grand Hall Europe B.V. identifies to its satisfaction to be defective.
- Transportation charges involved in return of the product to Grand Hall Europe B.V. is the sole responsibility of the customer.
- All products are inspected and tested before despatch and are at the risk of the purchaser after the shipment from Grand Hall Europe B.V., if not delivered by Grand Hall Europe B.V. to destination.
- No products or components will be supplied in advance of an examination of the faulty product or components by Grand Hall Europe B.V. or an authorized representative of Grand Hall Europe B.V.
- Grand Hall Europe B.V. does not participate in any site related costs or labour expenses incidental to replacement of parts, repairing, removing, installing, servicing, transportation or handling of parts to complete products, and assumes no liability on parts repaired or replaced without written authorisation. Grand Hall Europe B.V. shall not be liable for any default or delay in performance of its warranty obligations caused by any circumstances beyond its control, including, but not limited to, judicial or government restrictions, strikes, fires, floods, abnormal weather conditions, delayed supply of components.

Should products be determined as damaged on arrival, immediately notify the transport company of the condition and have them noted on the freight documents. If damage is discovered after unpacking, demand immediate inspection by the transportation company and insist that a record of the damage is made on the freight documentation.

The customer warrants using the product in accordance with:

- Any instructions provided to it by Grand Hall Europe B.V. from time to time.
- All government and local regulations, including but not limited to all relevant electrical, environmental laws and regulations governing the installation, storage, use, handling and maintenance of the goods.
- All necessary and appropriate precautions and safety measures relating to the installation, storage, use, handling and maintenance of goods.

### DISTRIBUTOR DETAILS FOR EUROPE & UNITED KINGDOM

**Distributed by:**

**Grand Hall Europe B.V.**

Tolstraat 17A

7482 DC Haaksbergen, The Netherlands

[www.heatstrip.eu](http://www.heatstrip.eu)

**Manufactured by:**

**Thermofilm Australia Pty. Ltd.**

27 Rosalie St

Springvale, Victoria, 3171 Australia

