

specifications

The guides, measurements and dimensions detailed below are designed to assist you with planning your outdoor kitchen. Please note: because of continuing product innovation, specifications are subject to change without notice.

Important: Please reference the Care & Use / Installation Manual for details on gas plumbing requirements, electrical specifications and the proper installation of your Lynx outdoor kitchen equipment. This manual can be downloaded from the Lynx website at www.lynxgrills.com

professional grills

Model	A	B	C	D	E	F	G	H
L27	-	26	22	-	-	-	-	10 ^{7/8}
L30	-	29	24 ^{1/2}	-	-	-	-	10 ^{7/8}
L36	-	35	22	-	-	-	-	10 ^{1/8}
L42	-	41	24 ^{1/2}	-	-	-	-	10 ^{7/8}
L54	-	53	24 ^{1/2}	-	-	-	-	10 ^{7/8}

coMpleMentar Y products

Model	A	B	C	D	E	F	G	H
ACCESS DOORS								
LDR21-1	-	-	-	19 ^{1/4}	-	-	-	-
LDR27-1	-	-	-	25 ^{1/4}	-	-	-	-
LDR30-1	-	-	-	28 ^{1/4}	-	-	-	-
LDR36-2	-	-	-	34 ^{1/4}	-	-	-	-
LDR42-1	-	-	-	40 ^{1/4}	-	-	-	-

SIDE BURNERS

LSB1	12 ^{1/8}	-	24 ^{1/2}	-	-	-	-	10 ^{5/8}
LSB2	12 ^{1/8}	-	24 ^{1/2}	-	-	-	-	10 ^{5/8}
LSB2PC	24 ^{1/4}	-	24 ^{1/2}	-	-	-	-	10 ^{5/8}
LPSGE	12 ^{1/8}	-	24 ^{1/2}	-	-	-	-	10 ^{5/8}
LPB	19	-	22	-	-	-	-	10 ^{5/8}

UTILITY DRAWERS

LUDE	-	-	24	-	12 ^{1/8}	19 ^{1/4}	-	-
LUDXL	-	-	24 ^{1/4}	-	17 ^{1/4}	18 ^{9/16}	-	-

WARMING DRAWERS

L30WD	-	-	20 ^{1/2}	-	-	-	28 ^{1/2}	10
L42CC	-	-	24 ^{1/2}	-	-	-	40 ^{1/4}	19 ^{3/8}

COCKTAIL PRO

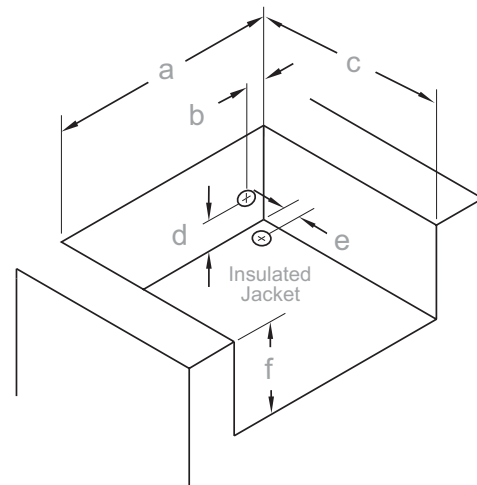
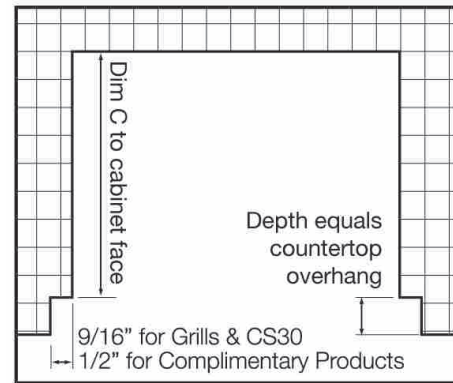
CS30	-	-	22 ^{3/4}	-	-	-	-	10 ^{5/8}
------	---	---	-------------------	---	---	---	---	-------------------

with insulated jacket installed

Model	A	B	C	D	E	F
LIJ27	33	5	24	4 ^{1/2}	3	11 ^{5/8}
LIJ30	36	5	26 ^{1/2}	4 1/2	3	11 ^{5/8}
LIJ36	42	5	24	4 ^{1/2}	3	11 ^{5/8}
LIJ42	48	5	26 ^{1/2}	4 1/2	3	11 ^{5/8}
LIJ54	60	5	26 ^{1/2}	4 1/2	3	11 ^{5/8}

Countertop Notch Detail

Only required if island countertop overhangs the face of the island



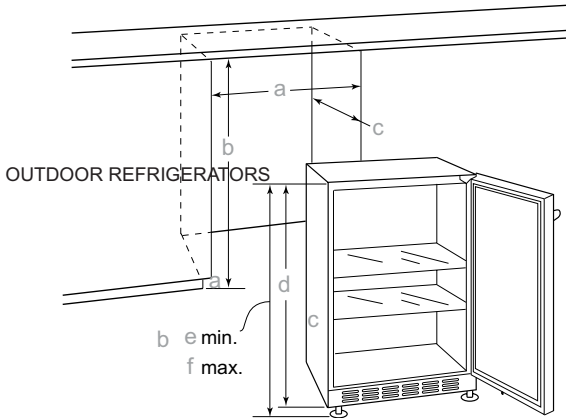
The best outdoor kitchen products come from:
Lynx Professional Grills,
6023 East Bandini Blvd.
Commerce, CA 90040

For more information please call,
1-888-879-2322 or visit www.lynxgrills.com

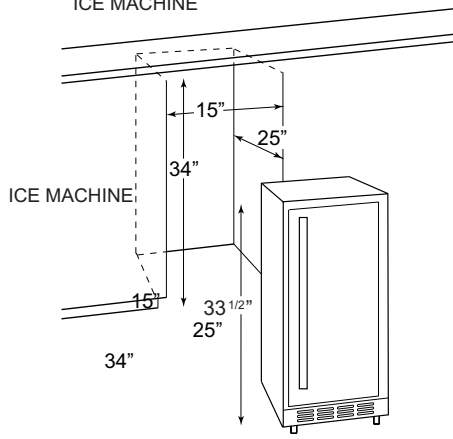


specifications

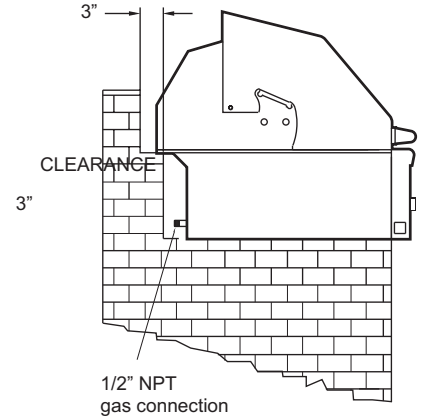
OUTDOOR REFRIGERATORS



ICE MACHINE



CLEARANCE



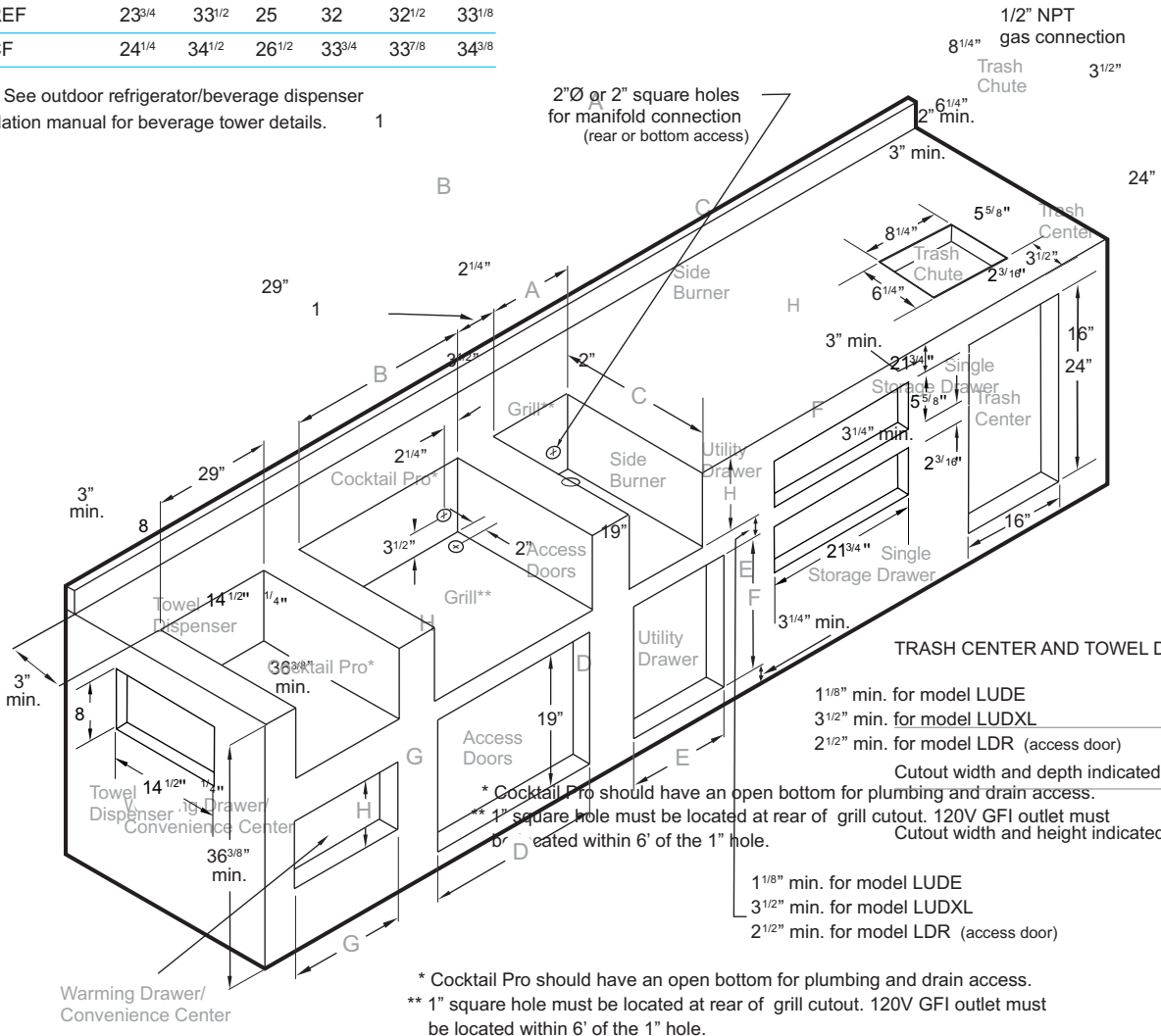
outdoor refrigerators

Model	A	B	C	D	E	F
L24REF	23 ^{3/4}	33 ^{1/2}	25	32	32 ^{1/2}	33 ^{1/8}
L24CF	24 ^{1/4}	34 ^{1/2}	26 ^{1/2}	33 ^{3/4}	33 ^{7/8}	34 ^{3/8}

Note: See outdoor refrigerator/beverage dispenser installation manual for beverage tower details. 1

2" or 2" square holes for manifold connection (rear or bottom access)

2" min.



1/2" NPT gas connection

2" or 2" square holes for manifold connection (rear or bottom access)

8 1/4" Trash Chute

6 1/4" min.

3" min.

24"

5 5/8" Trash Center

8 1/4" Trash Chute

3 1/2" Trash Center

2 3/16" Single Storage Drawer

3 1/4" min. Single Storage Drawer

2 3/16" Utility Drawer

21 3/4" min. Single Storage Drawer

3 1/4" min. Utility Drawer

16" Access Doors

19" Warming Drawer/Convenience Center

36 3/8" min. Towel Dispenser

36 3/8" min. Cocktail Pro

14 1/2" Towel Dispenser

14 1/2" Towel Dispenser

3" min. Warming Drawer/Convenience Center

3" min. Towel Dispenser

3" min. Towel Dispenser

3" min. Towel Dispenser

3" min. Towel Dispenser

3" min. Towel Dispenser

3" min. Towel Dispenser

3" min. Towel Dispenser

3" min. Towel Dispenser

3" min. Towel Dispenser

3" min. Towel Dispenser

3" min. Towel Dispenser

TRASH CENTER AND TOWEL DISPENSER

1 1/8" min. for model LUDE
 3 1/2" min. for model LUDXL
 2 1/2" min. for model LDR (access door)

Cutout width and depth indicated above; height 6 1/4"

* Cocktail Pro should have an open bottom for plumbing and drain access.
 ** 1" square hole must be located at rear of grill cutout. 120V GFI outlet must be located within 6" of the 1" hole.

1 1/8" min. for model LUDE
 3 1/2" min. for model LUDXL
 2 1/2" min. for model LDR (access door)

* Cocktail Pro should have an open bottom for plumbing and drain access.
 ** 1" square hole must be located at rear of grill cutout. 120V GFI outlet must be located within 6" of the 1" hole.

